

WaterMATIC Water Flow Sensors

Models : 1" to 2" Water Flow Sensors, manufactured by Norstrom, providing a digital output designed to regulate the output of the KaIGUARD+ controller to provide proportional dosing control of the zinc water treatment process.

FEATURES MJ (P) Multi Jet Water Meter

- EEC Class B Approved
- Working Pressure: 16 Bar
- Dry Dial
- For Cold (30°C) Water
- Brass Body
- Powder Epoxy Coated
- Protected Rollers
- Sensitivity Index
- Real Performances Exceed EEC & ISO Standards
- Counter Perfectly Sealed
- Suitable for Horizontal or Vertical Installation
- Filter provided to eliminate large particles entering metering chamber

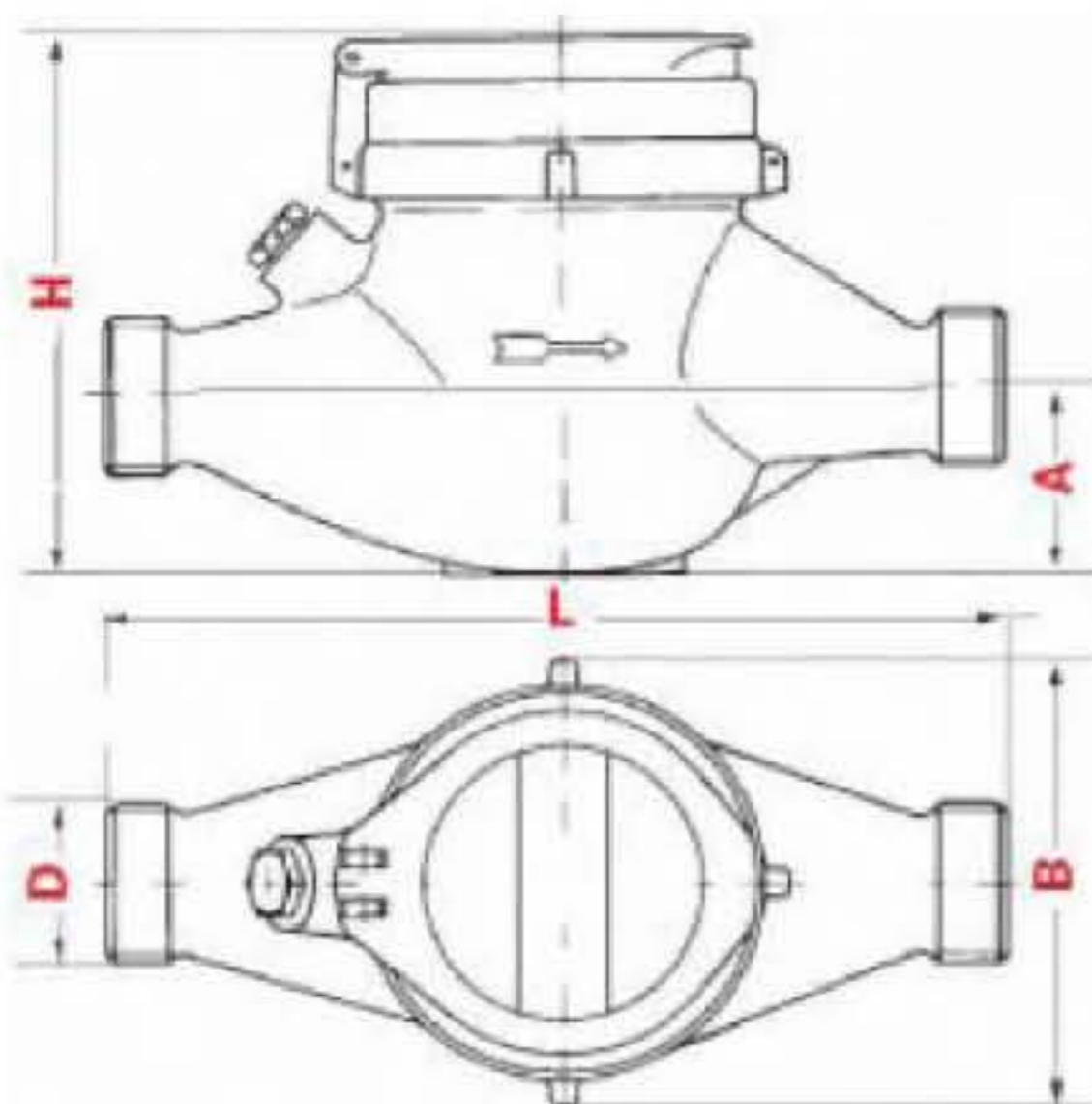


PULSE VALUES

- 1" 1¼" 1½" – 1 Litre
- 2" – 10 Litres

Volume for pulse available		Reed mechanical data	
Max Contact Rating	10 VA	Body Material	PA66 30FG-RC Nero/Black
Max Switching Current	0,5 A	Wire Diameter	4mm
Max Carrying Current	1,0 A	Standard Wire Length	3 metre
Max Switching Voltage	150 VDC/VAC	Working Temperature	-20/ + 100 °C

DIMENSIONS



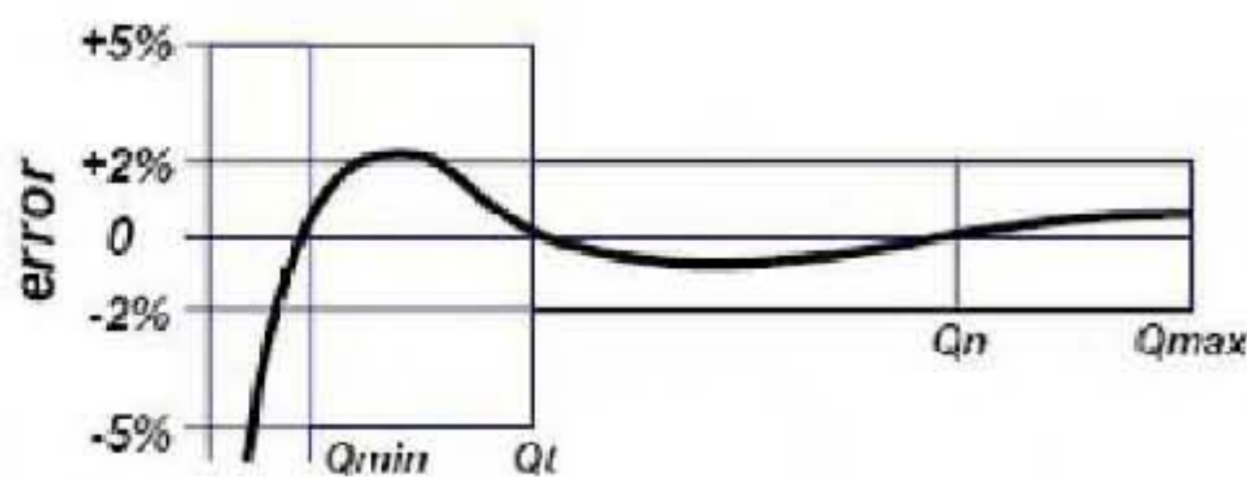
Product Ref. No.	NOR 1"	NOR 1¼"	NOR 1½"	NOR 2"	
Size	mm	25	30	40	50
	inch	1"	1¼"	1½"	2"
L mm	260	260	300	300	
H mm	120	120	155	165	
A mm	47	47	65	70	
B mm	100	100	136	136	
D	1"	1¼"	1½"	2"	
Couplings mm	100	120	140	160	

MJ (P) Multi Jet Water Meter

TECHNICAL DATA

Product Ref. No.	NOR 1"	NOR 1¼"	NOR 1½"	NOR 2"
DN	25 - 1"	30 - 1¼"	40 - 1½"	50 - 2"
Nom. Flow Qn (CEE)	3,5	5	10	15
Maximum Flow Qmax (CEE)	7	10	20	30
Transition Flow Qt (CEE)	280	400	800	3000
Minimum Flow Qmin (CEE)	70	100	200	450
Sensitivity	22	22	50	60
Min. Dial Reading	0,1	0,1	0,1	0,1
Maximum Rollers Totalisation	99.999	99.999	99.999	99.999
Max Working Temperature	AF 30	30	30	30

TYPICAL ERROR CURVE



MAX PRESSURE LOSS DIAGRAM

