

## WaterMATIC Water Flow Sensors

**Models : 2½" to 4" Water Flow Sensors**, manufactured by Norstrom, providing a digital output designed to regulate the output of the KalGUARD+ controller to provide proportional dosing control of the zinc water treatment process

**FEATURES**    WPHN Woltmann Water Meter

- EEC Class B Approved
- Working Pressure: 16 Bar
- Dry Dial
- For Cold (30°C) Water
- Cast Iron Body
- Powder Epoxy Coated
- Protected Rollers
- Sensitivity Index
- Real Performances Exceed EEC & ISO Standards
- Counter Perfectly Sealed
- Suitable for Horizontal or Vertical Installation



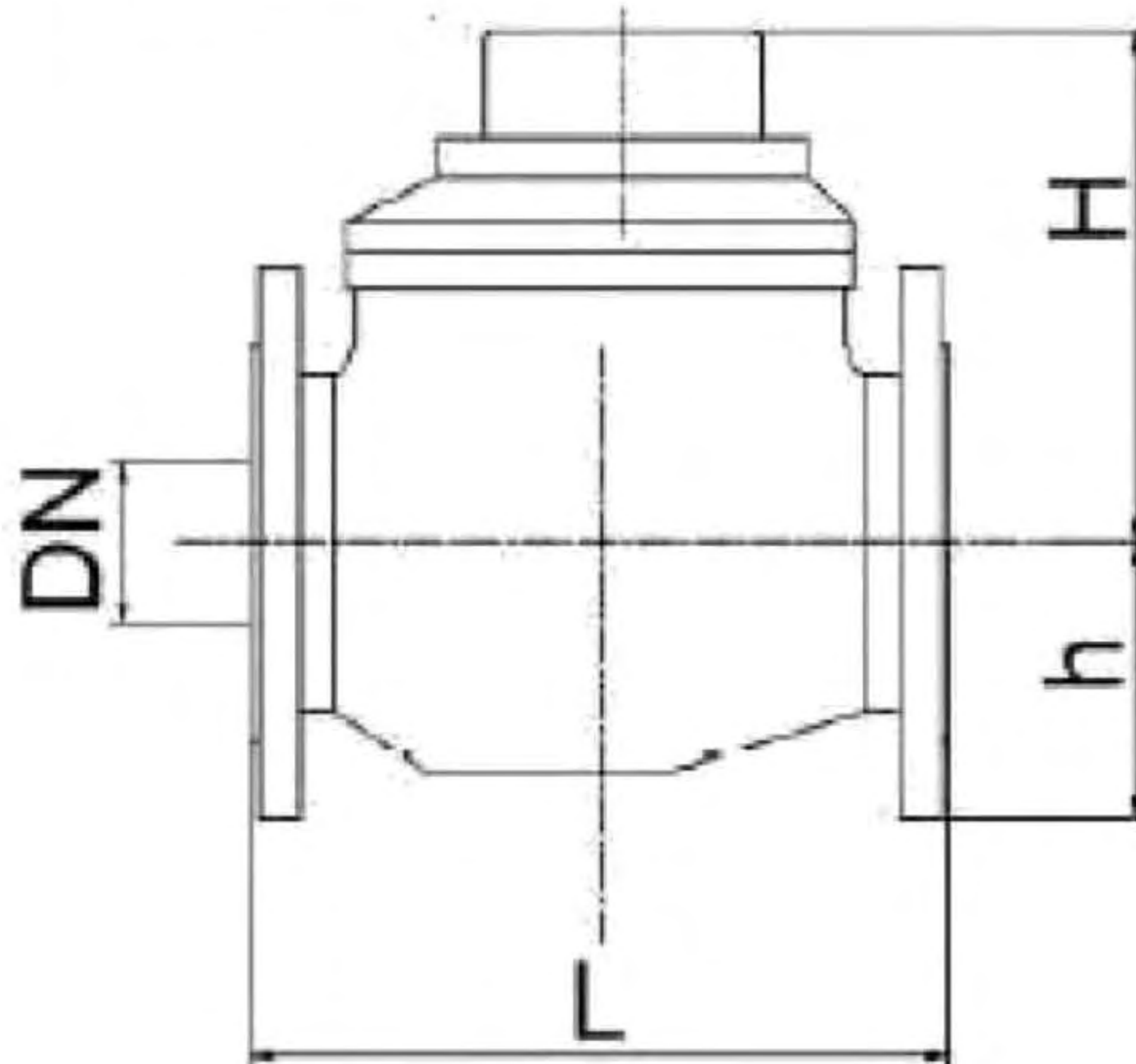
**PULSE VALUES**

• 10ltr DN65 – DN125

PULSE OUTPUTS		
TYPE	PULSE VALUES	TECHNICAL DATA
REED	0.01 m <sup>3</sup>	24V 100 mA Max IP67

**WPHN Woltmann Water Meter**

**DIMENSIONS**



Product	Ref No.	NOR 2½"	NOR 3"	NOR 4"
Size DN	mm	65	80	100
L	mm	200	225	250
H 2)	mm	187	180	179
h 2)	mm	88	97	108
Weight	Kg	12,6	14,5	16,5

**TECHNICAL DATA**

Product	Ref No.	NOR 2½"	NOR 3"	NOR 4"
Size DN	mm	65	80	100
Maximum Flow Q <sub>max</sub> (CEE)	m <sup>3</sup> /h	50	80	120
Nominal Flow Q <sub>n</sub> (CEE)	m <sup>3</sup> /h	25	40	60
Transition Flow Q <sub>t</sub> (CEE)	m <sup>3</sup> /h	5	8	12
Minimum Flow Q <sub>min</sub> (CEE)	m <sup>3</sup> /h	0,75	1,2	1,8
Max. Working Temperature	°C	30	30	30
Max. Working Pressure	Bar	16	16	16
Maximum Rollers Totalisation	m <sup>3</sup>	9.999.999	9.999.999	9.999.999
Minimum Dial Reading	l	1	1	1